

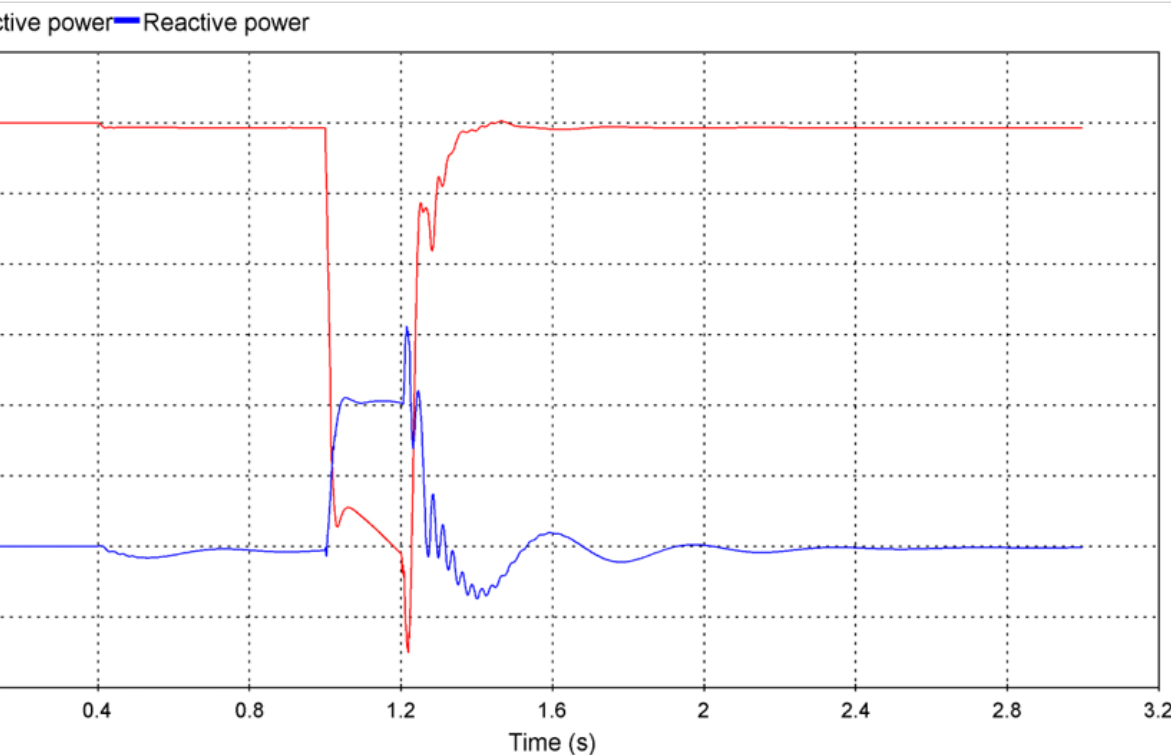
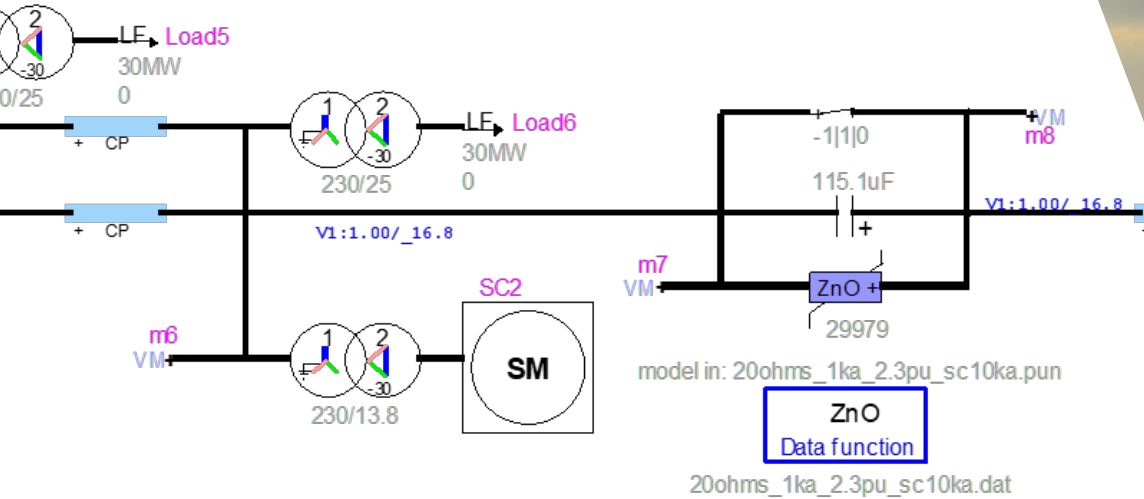


# EMTDP

The reference for power systems transients

## 2020 Virtual Users Conference

Sep. 21 – Oct. 2



CST (China)	IST (Chennai)	CEST (Paris)	EST (New York)	Monday 21-Sept.	Thursday 24-Sept.	Tuesday 29-Sept.	Friday 02-Oct.
09:00 PM	06:30 PM	03:00 PM	09:00 AM				
10:00 PM	07:30 PM	04:00 PM	10:00 AM	<p>EMT models to evaluate traveling wave-based protection in distribution system, <b>Kumaraguru Prabakar</b> NREL</p> 	<p>AC fault studies of islanded grid including HVDC links in grid forming operation, <b>Hani Saad</b> RTE</p> 	<p>Implementation of a hydrogen fuel cell stack model in the EMTP, <b>Franjo Vukovic, Ivo Uglesic, Alain Xemard</b> EDF and FER</p> 	
11:00 PM	08:30 PM	05:00 PM	11:00 AM	<p>Impact of Renewables on System Protection, <b>Evangelos Farantatos</b> Electric Power Research Institute (EPRI)</p> 	<p>Assessment of Interactions Involving Wind Farm Systems, <b>Aramis Schwanka Trevisan</b> Enercon</p> 	<p>Locating faults in electrical power networks using EMTP: a practical case, <b>Asia Codino</b> Streamer</p> 	<p>Motor Start Flicker Mitigation Through Fast Reactive Power Compensation Using Current Change as a Parameter <b>Senay Berhane</b> <b>Saeed Kamalinia</b> S&amp;C Electric Company</p> 
12:00 AM	09:30 PM	06:00 PM	12:00 PM	<p>Stability analysis of the CCS power plant during the tuning of the PSS and determination of the adjustment of the single-phase reclosing time of the San Rafael – El Inga 500 kV transmission line, <b>L.M. Dután, J.C. Cepeda</b> CELEC EP Transelectric</p> 	<p>Methods of Generating COMTRADE Files Using EMTP for Testing SEL-T400L Traveling Wave Relays, <b>Toby Russell,</b> <b>Dr. Prashanna Bhattarai, Dr. Milton Quinteros</b> Entergy</p> 	<p>161kV Capacitor Bank Relay Tripping Investigation Using EMTP, <b>Jeff Hart</b> MidAmerican Energy Company</p> 	
01:00 AM	10:30 PM	07:00 PM	01:00 PM			<p>Exponential Load in EMTP - Design and Validation <b>Omar Saad &amp; Luc Gérin-Lajoie</b> Hydro Québec</p> 	